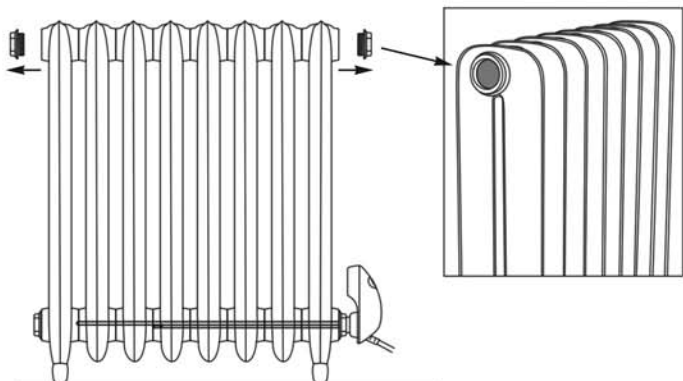




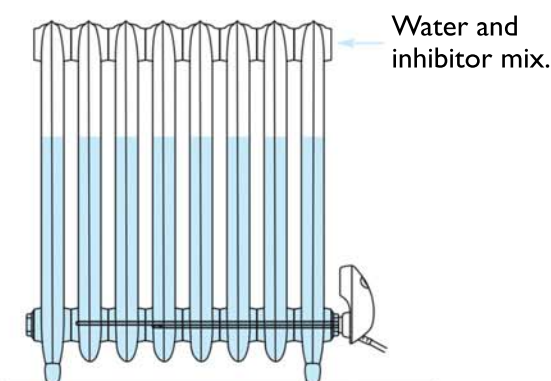
## Filling radiators when using an electrical element

1.



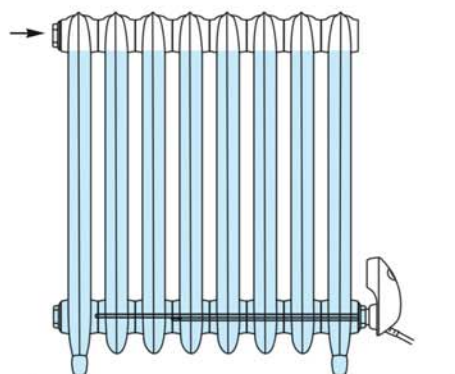
Unscrew the two end caps at the top of the radiator.  
Please Note: - The end caps will have opposite threads, one left hand and one right hand. Make sure you note which one fits which end of your radiator.

2.



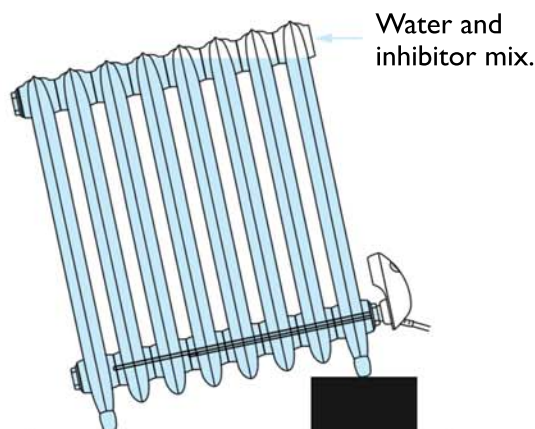
Slowly fill the cast iron radiator up with a water and inhibitor mix (we recommend sentinel x100 towel rail inhibitor). To avoid airlocks, this should be done from one end of the radiator and ensure the heating element is fully submerged.

3.



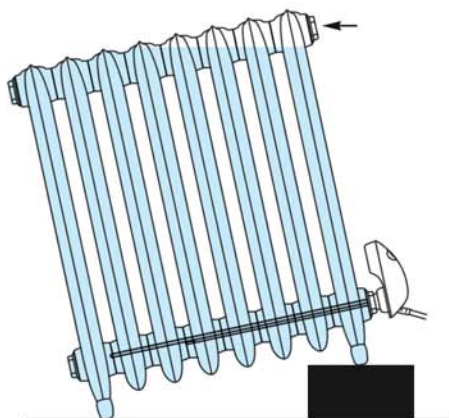
Once filled, screw the left end cap back on.

4.



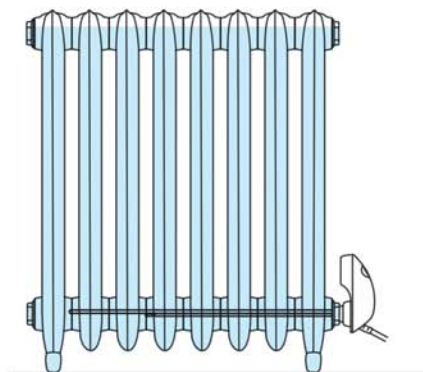
Carry on slowly filling the radiator, with it raised at an angle. A gap of 5%, at the top, must be left to allow for expansion.

5.



Screw the right end cap back on.

6.



The radiator is now ready for connection to an electrical supply. **This must be completed by a professional.**