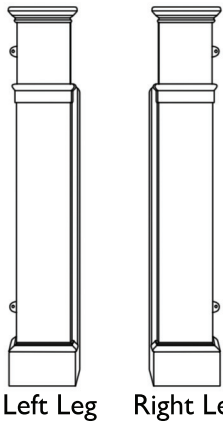


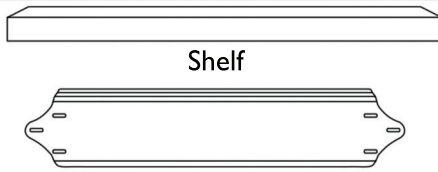


The Somerset Surround

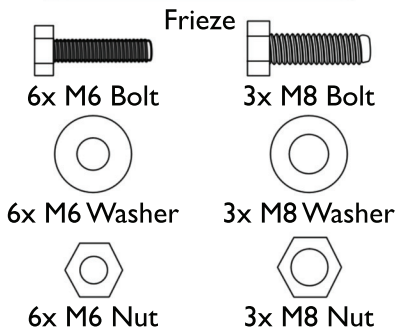
Contents



Left Leg Right Leg



Shelf



Frieze

6x M6 Bolt

3x M8 Bolt

6x M6 Washer

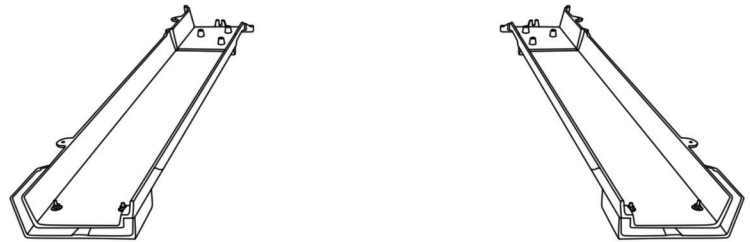
3x M8 Washer

6x M6 Nut

3x M8 Nut

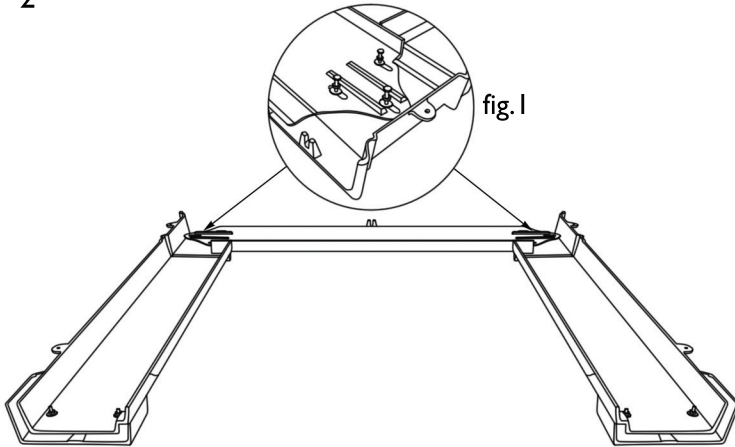
Please note, a flat head screwdriver, a 10mm and a 14mm spanner are required to assemble this surround.

1



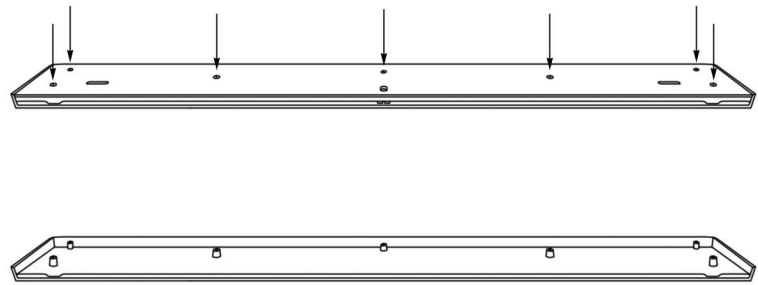
Lay the two legs on a flat surface, faced down. To avoid scratching the finish, lay them on card or cloth.

2



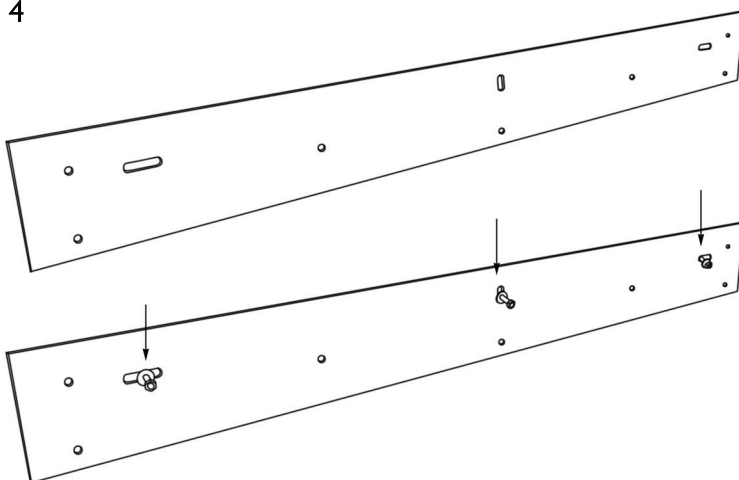
Attach the frieze to the legs, securing with 3x M6 bolts, nuts and washers to each leg, as fig.1. Only hand tighten for now. Pass the bolts through the nuts first, then the washers.

3



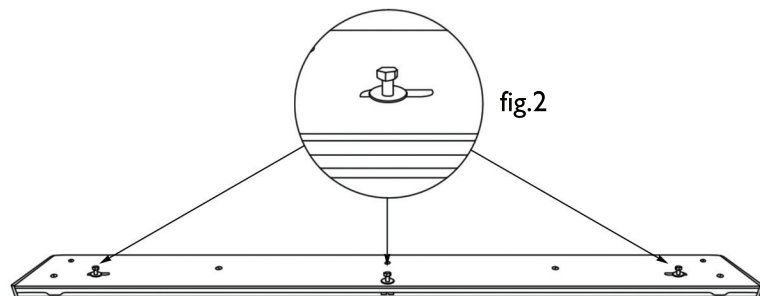
Lay the shelf on a flat surface, faced down. Remove the bottom of the shelf by removing the 7 screws with a flat head screwdriver, do not discard the 7 screws. To avoid scratching the finish, lay them on card or cloth.

4



The 3x M8 Bolts should now be passed through the holes on the top of the shelf bottom, followed by an M8 washer and finally loosely attach the M8 nuts.

5

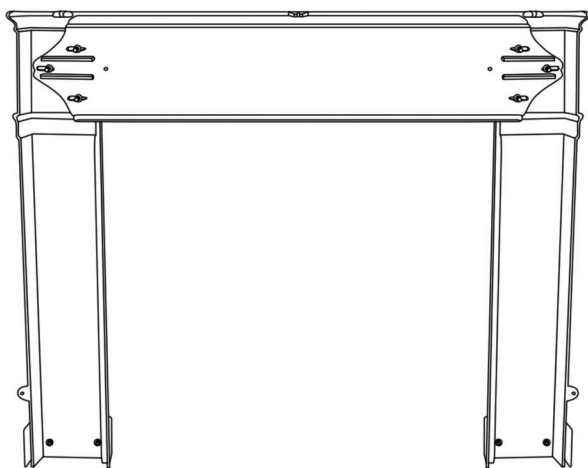


Attach the bottom of the shelf back onto the top of the shelf. Use a flat head screwdriver to tighten the 7 screws. Ensure that the 3x M8 washers and nuts are visible on the underside of the shelf, as in fig. 2.



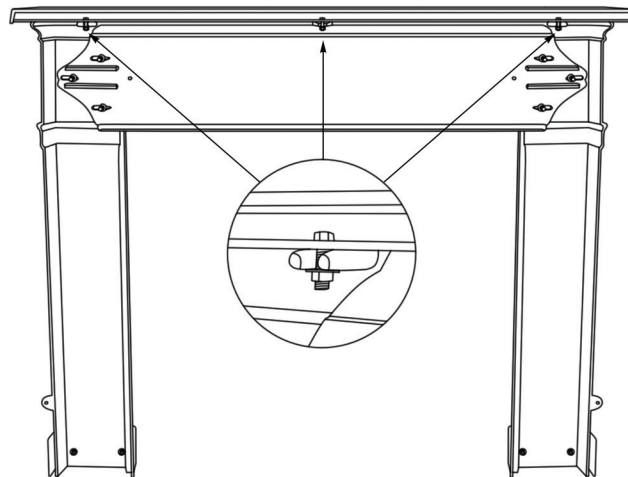
The Somerset Surround

6



Stand the surround upright. It is recommended that 2 people lift the surround upright.

7



Attach the shelf to the surround, passing the M8 bolts through the fixing lugs. The washers should be below the fixing lugs. The nuts can now be tightened. It is recommended that one person holds the surround upright, while another person attaches the shelf.

8

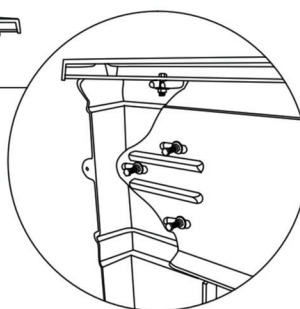
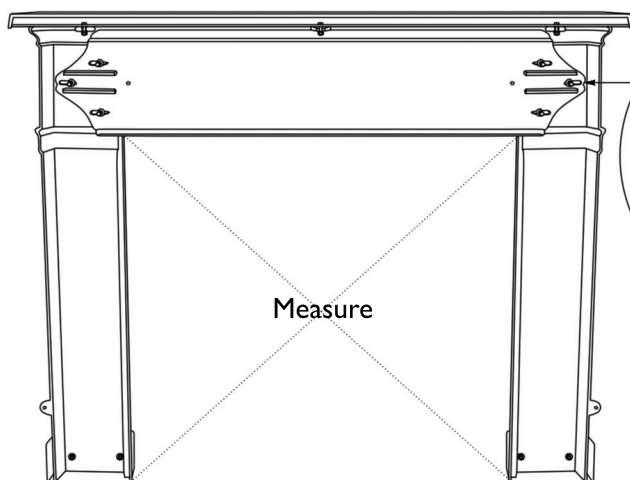
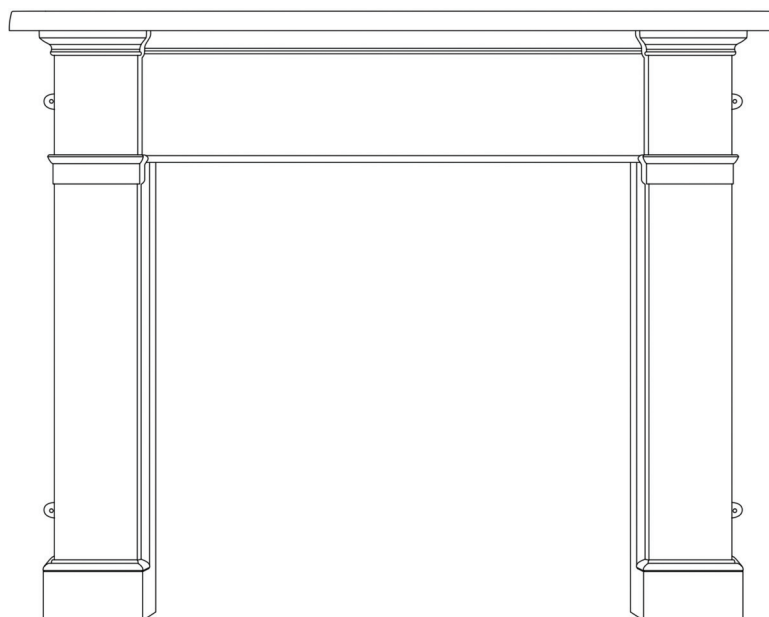


fig.3.

To ensure that the surround is square, measure both diagonals that are marked 'Measure'. These measurements should both be the same. Once the legs are square, all 6x M6 nuts on the back of the frieze can now be tightened with a 10mm spanner, as fig.3.



The surround is now complete.